



**NAV KAR
ENTERPRISE**

AiFace Venus

**Linux-Based Hybrid-Biometric
Access Control & Time and Attendance Terminal
with Visible Light Facial Recognition**



Proactive Facial Recognition



New Height of Anti-Spoofing



Speedy Recognition



Wide Pose Angle Acceptance



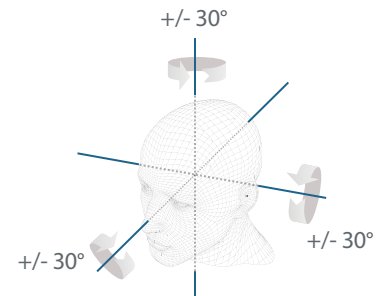
Wide Pose Angle Acceptance

Features

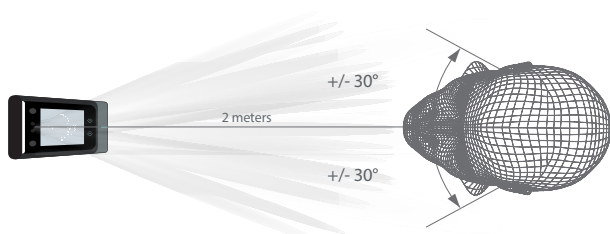
- Visible Light Facial Recognition
- Anti-spoofing algorithm against print attack (laser, color and B/W photos), videos attack and 3D mask attack
- Multiple verification methods: Face / Card / Password
- Available card modules: 125kHz ID card (EM) / 13.56MHz IC card

2 meters of recognition distance and extra wide angle recognition

The recognition distance has been greatly extended to 2 meters, which significantly improves the maximum traffic rate. While most of the algorithms only support +/-15° of detectable face angle, SpeedFace M2 doubles the detection angle in terms of head rotation and tilt to +/- 30°.



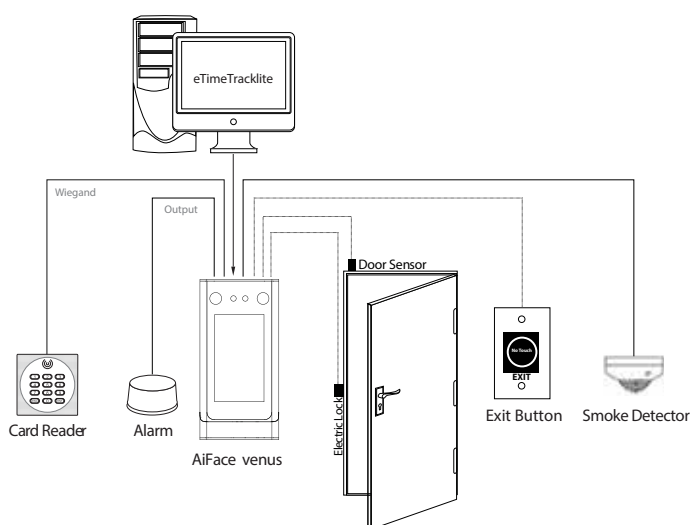
Touchless palm authentication method with a novel hand tracking technique allowing angle tolerance as wide as +/-60° in the roll axis and a recognition distance of 50cm.



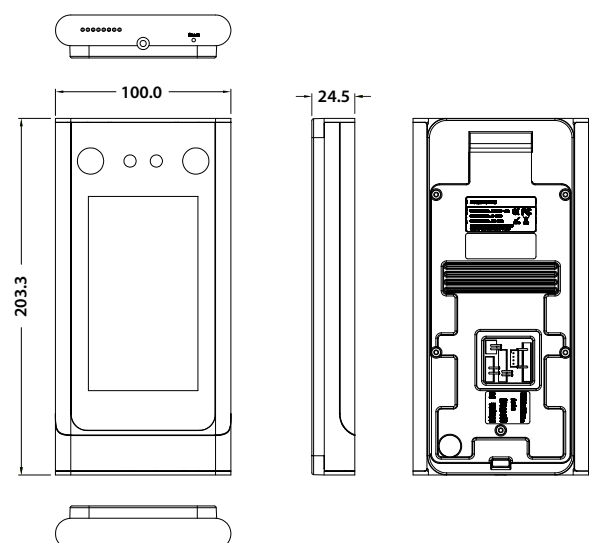
Specifications

Display	5-inch Touch Screen
Face Capacity	6,000
Card Capacity	10,000
Transactions	200,000
Operation System	Linux
Standard Functions	ID Card, ADMS, T9 Input, DST, Camera, 9-digit User ID, Access Levels, Groups, Anti- passback, Record Query, Tamper Switch Alarm, Multiple Verify Modes
Hardware	900MHz Dual Core CPU; Memory 512MB RAM / 8G Flash; 2MP WDR Binocular Camera;
Communication	TCP/IP, WiFi (Optional), Wiegand input / output, RS485
Access Control Interface	3rd Party Electric Lock, Door Sensor, Exit Button, Alarm output, Auxiliary Input
Optional Function	13.56MHz IC Card
Facial Recongntion Speed	≤1s
Biometrics Algorithms	Face V5.8
Power Supply	12V 3A
Operating Humidity	20%-80%
Operating Temperature	0°C- 45 °C
Dimensions (W*H*D)	100*203.3*24.5mm
Net Weight	438g
Gross Weight	1105g
Supported Softwares	eTimeTracklite

Configuration



Dimensions (mm)



Disclaimer: Brief specifications are mentioned here. Specifications may change without prior notice. Customers are advised to check with us before purchase. Actual product may differ slightly to that depicted for ongoing product development

Visit Us at: www.esslsecurity.com